

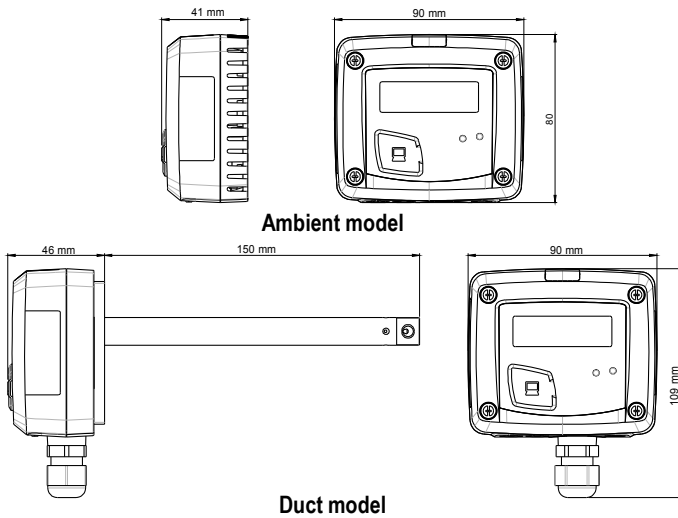
**CO transmitter  
CO 110**

**KEY POINTS**

- Range from 0 to 500 ppm
- 0-10 V active output, power supply 24 Vac/Vdc (3-4 wires) or 4-20 mA output, passive loop, power supply from 16 to 30 Vdc (2 wires)
- ABS V0 housing, IP65 (depending on model), with or without display
- "¼ turn" system mounting with wall-mount plate
- Housing with simplified mounting system



**FEATURES OF HOUSING**



**Material :** ABS V0

**Protection :**

- duct model : IP65
- ambient model : IP20

**Display :** LCD 10 digits. Size : 50 x 17 mm

**Height of digits :** Value : 10 mm ; Unit : 5 mm

**Cable gland (only for duct model) :** for cables Ø 8 mm maximum

**Weight :** 138 g (ambient model) ; 150 g (duct model)

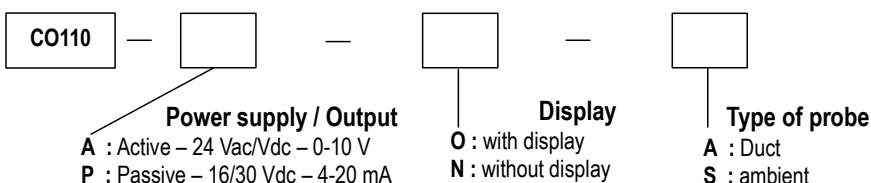
**TECHNICAL FEATURES**

|                     |                                    |
|---------------------|------------------------------------|
| Unit of measurement | ppm                                |
| Measuring range     | From 0 to 500 ppm                  |
| Accuracy*           | ±3 ppm or 3% of the measured value |
| Type of sensor      | Electrochemical sensor             |
| Response time       | T63 = 35 s                         |
| Resolution          | 0.1 ppm                            |
| Type of fluid       | Air and neutral gas                |
| Working temperature | From 0 to +50 °C                   |
| Storage temperature | From -10 to +70 °C                 |

\*All the accuracies indicated in this technical datasheet were stated in laboratory conditions, and can be guaranteed for measurements carried out in the same conditions, or carried out with calibration compensation.

**PART NUMBER**

To order, just add the codes to complete the part number :

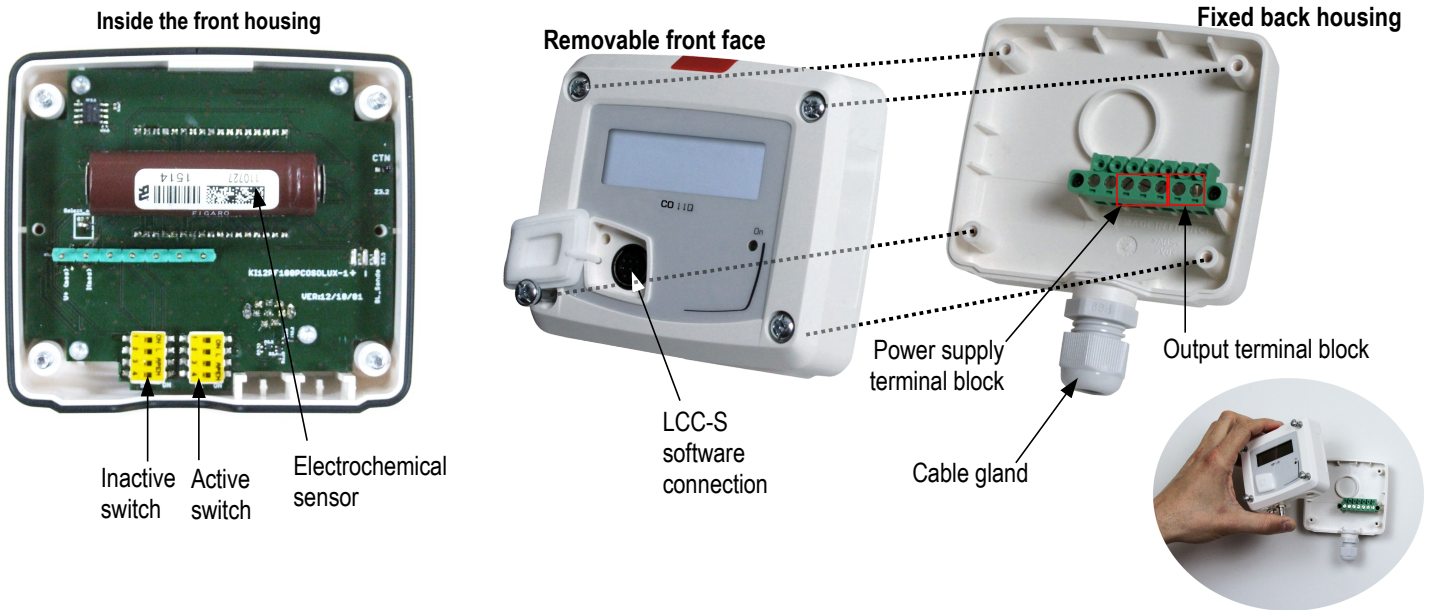


**Example : CO110-POA**  
CO transmitter, 4-20 mA passive transmitter, with display and duct probe

## TECHNICAL SPECIFICATIONS

|   |   |
|---|---|
| <b>Output / Power supply</b>            | - active 0-10 V (power supply 24 Vac/Vdc $\pm$ 10%), 3-4 wires<br>- passive loop 4-20 mA (power supply 16/30 Vdc), 2 wires<br>- maximum load : 500 Ohms (4-20 mA)<br>- minimum load : 1 K Ohms (0-10 V) |
| <b>Consumption</b>                      | 2 VA (0-10 V) or max. 22 mA (4-20 mA)   |
| <b>Electro-magnetical compatibility</b> | EN61326   |
| <b>Electrical connection</b>            | Screw terminal block for cables $\varnothing$ 0.05 to 2.5 mm <sup>2</sup>   |
| <b>Communication to PC</b>              | Kimo USB-mini Din cable   |
| <b>Environment</b>                      | Air and neutral gas   |

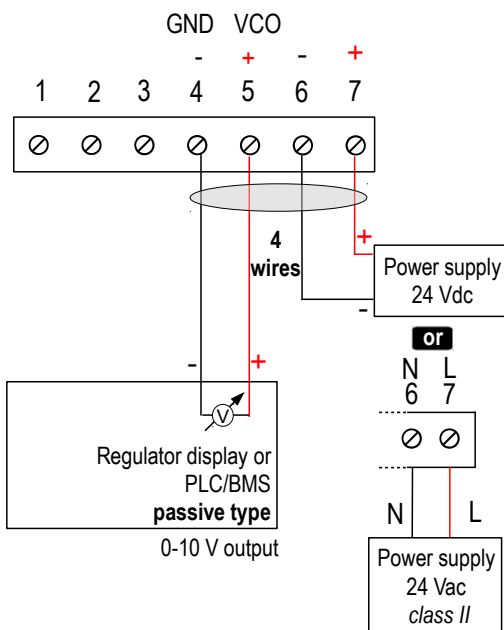
## CONNECTIONS



## ELECTRICAL CONNECTIONS – as per *NFC15-100 standard*

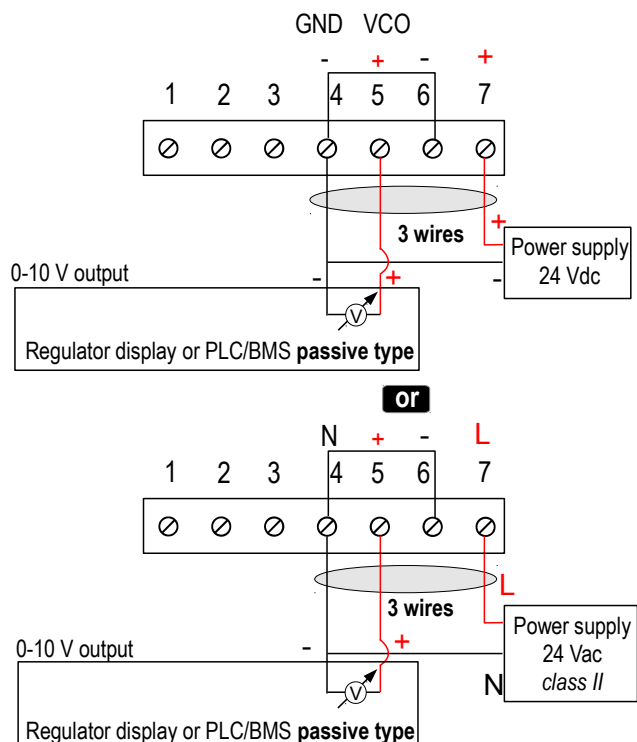
**!** This connection must be made by a qualified technician. To make the connection, the transmitter must not be energized.

For **CO110-A** models with **0-10 V output – active** :



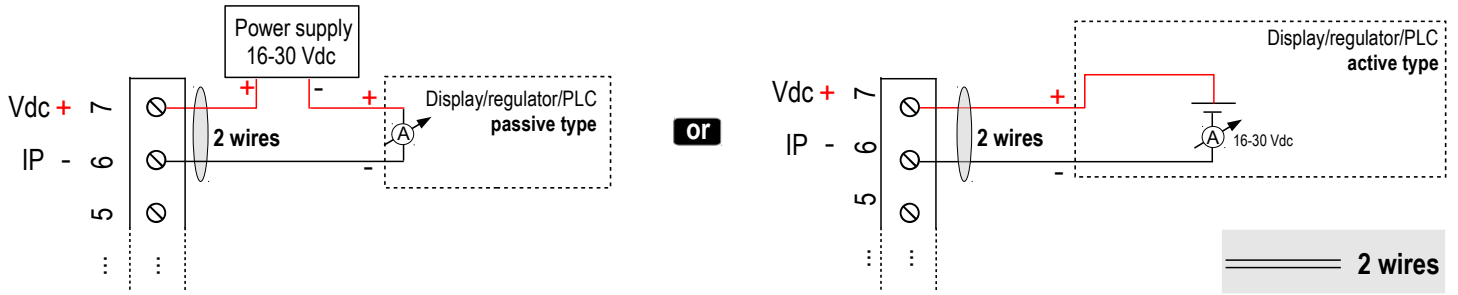
==== 4 wires

**!** To make a 3-wire connection, before powering up the transmitter, please connect the output ground to the input ground. See drawing below.



==== 3 wires

For CO110-P models with 4-20 mA output – passive :



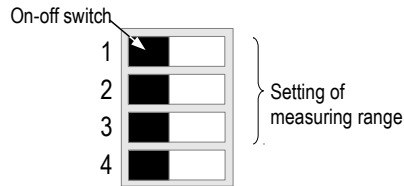
## SETTINGS AND USE OF THE TRANSMITTER

### > Configuration



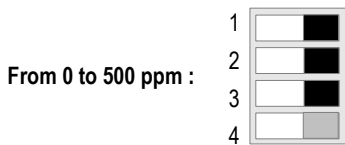
To configure the transmitter, it must not be energized. Then you can make the required settings thanks to the DIP switches as shown on the drawing below. When the transmitter is configured, you can power it up.

To configure the transmitter, unscrew the 4 screws of the housing then open it. DIP switches allowing the different settings are accessible.



### > Measuring range setting

To set a measuring range, put the on-off switches 2, 3 and 4 as shown below :



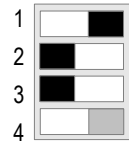
Combination 1

From 0 to 100 ppm :



Combination 2

From 0 to 200 ppm :



Combination 3

## CONFIGURATION VIA LCC-S SOFTWARE (optional)

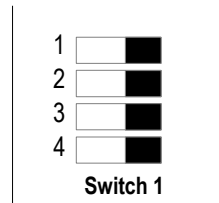
### An easy and friendly configuration with the software !

It is possible to configure intermediary ranges.

**Attention : the minimum difference between the minimum scale and the maximum scale is 20.**

Example : for a 0-500 ppm transmitter, the minimum delta is 20 ppm. So the transmitter could be configure from 0 to 70 ppm from 0 to 20 ppm.

- To access to the configuration via software :
  - Set the switch as shown beside.
  - Connect the cable of the LCC-S to the connection of the transmitter.
- To configure the transmitter, please refer to the LCC-S user manual.



**Caution : The configuration of the parameters can be done either by DIP switch, or by software (you cannot combine both solutions).**

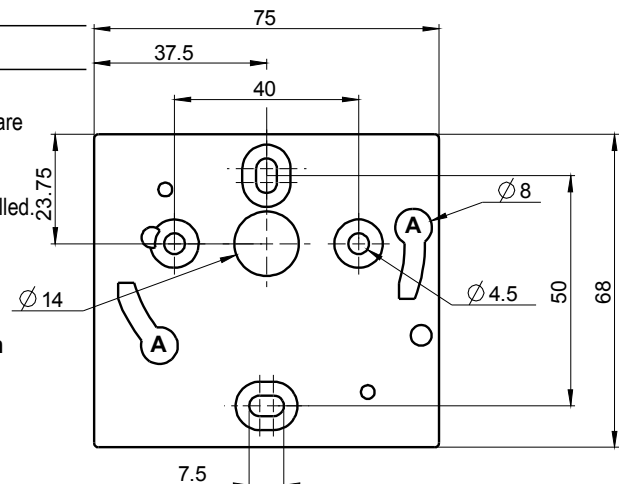
## MOUNTING

To mount the transmitter, mount the ABS plate on the wall (drilling :  $\varnothing 6$  mm, screws and pins are supplied).

Insert the transmitter on the fixing plate (see A on the drawing beside). Rotate the housing in clockwise direction until you hear a "click" which confirms that the transmitter is correctly installed.



Ambient model has not any fixing plate.  
4 fixing holes are inside the back housing. Use them to install the transmitter on the required location.



---

## MAINTENANCE

---

Please avoid any aggressive solvent. Please protect the transmitter and its probes from any cleaning product containing formol, that may be used for cleaning rooms or ducts.

---

## OPTIONS AND ACCESSORIES

---

- **KIAL-100A** : Power supply class 2 , 230 Vac input, 24 Vac output
- **LCC-S** : configuration software with USB cable

[www.kimo.fr](http://www.kimo.fr)

Distributed by :



**EXPORT DEPARTMENT**

Tel : + 33. 1. 60. 06. 69. 25 - Fax : + 33. 1. 60. 06. 69. 29

e-mail : [export@kimo.fr](mailto:export@kimo.fr)