

TECHNICAL DATA SHEET

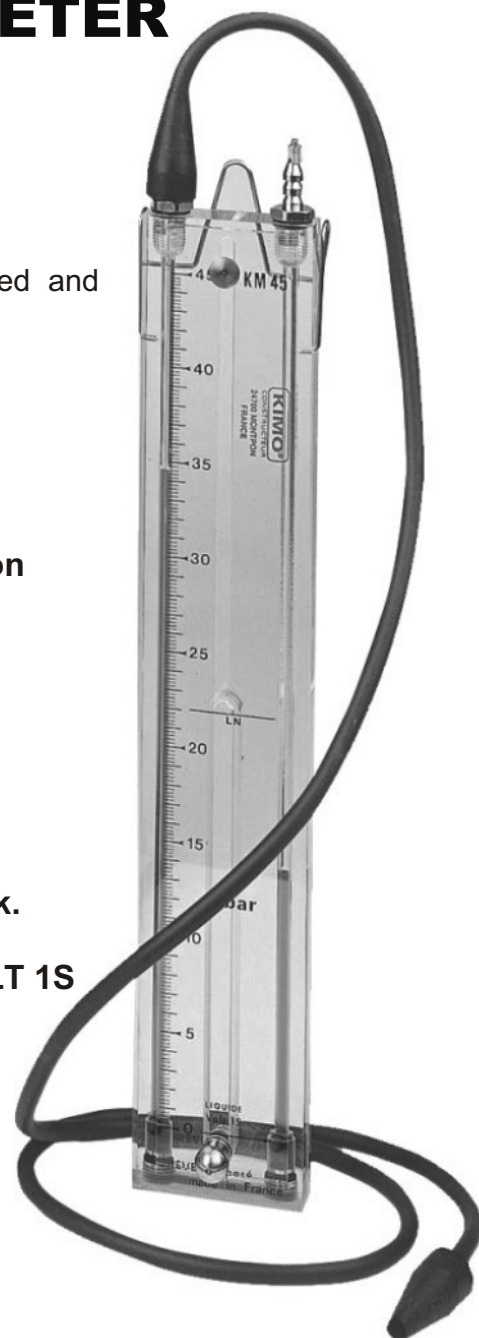


KM

VERTICAL LIQUID COLUMN PORTABLE MANOMETER

The KM vertical liquid column portable manometer, developed and manufactured by KIMO, measures low pressures in gas networks.

- Easy to carry.
- "U"- shaped column for pressure and depression measurement.
- Direct read-off by moving the graduated slide strip.
- Safety valves actuation for momentaneous overshooting of the scale.
- Fitted with valve connectors and mounting hook.
- Comes with connection sleeves, a bottle of VOLT 1S liquid and carrying case.

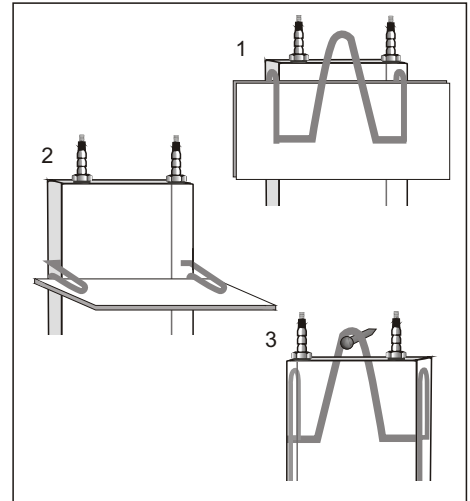


MEASUREMENT RANGE

REF.	MEASUREMENT RANGE	RESOLUTION
KM 45	0-45 mbar or 0-18 In.WG	0.2 mbar or 0.08 In.WG
KM 60	0-60 mbar or 0-24 In.WG	0.2 mbar or 0.08 In.WG

CHARACTERISTICS

- Recommended range of use : +5 to 30°C.
- Possible range of use : -30 to 60°C.
- Maximum static pressure : 8 bars.
- Manometer body : 15 mm thick transparent Altuglas.
- Liquid column : Ø 4 mm bored into the solid block.
- Graduated slide strip : transparent Altuglas.
- Zero adjustment by moving the graduated slide strip, fixed in place via milled, nickel-plated brass screw.
- Manometric liquid : VOLT 1S, density 1.86 at 20°C.
- Connection : on Ø 6.2 nickel-plated brass valve connectors, with 1m long neoprene tube fitted with dedicated end-pieces for gas equipment.



Réf.	Dimensions (height. x width x thickness)	Weight (inclusive of accessories)
KM 45	306 x 50 x 20 mm	550 gms
KM 60	380 x 50 x 20 mm	700 gms

MOUNTING

- Dismount one of the 2 connectors using a no. 12 spanner and slacken the milled head of the other connector by one turn.
- Check beforehand that the slide strip is at its lowest level.
- Pour the liquid in the column using the spout.
- Do not overfill. Never go beyond the NL line at the middle of the slide strip.
- Remount the connector and screw the milled head of the other connector back down.

OPERATION

- Hang up the manometer vertically by the mounting hook or hold manually.
- Open to the air by slackening the milled heads of the 2 valves (one turn is sufficient).
- Push one of the ends of the connecting tube firmly onto the right-hand valve. Push the other end of the tube onto the pressure point of the pipeline or the instrument which has to be checked.
- Under gas pressure, the liquid falls in the right-hand column and rises in the left-hand one. If there is too rapid an inrush of gas which actuates the safety valve, start the operation again and be sure to squeeze the connecting tube as required so as to enable slow gas entry. If the safety valve is again actuated, this is due to the fact that pressure is significantly beyond the manometer's measurement range.
- When the liquid has settled, slide the graduated strip so as to bring the zero mark opposite the right-hand tube's liquid level (lowest level).
- The graduation corresponding to the height of the liquid in the left-hand tube indicates the exact gas pressure.
- Close off the 2 valves securely after operation.

IMPORTANT :

- Only VOLT1S liquid will ensure precise measurement (slide scale graduation corresponding to the density of this liquid).
- Maximum static pressure : 8 bars.

EXPORT DEPARTMENT

Tel : + 33. 1. 60. 06. 69. 25 - Fax : + 33. 1. 60. 06. 69. 29
 site : www.kimo.fr e-mail : export@kimo.fr



Distributed by :

