

TECHNICAL DATA SHEET



LU SERIES

VERTICAL LIQUID COLUMN MANOMETERS

The LU range of vertical liquid column manometers, developed and manufactured by KIMO, are mainly for measuring variations of pressure, depression or differential pressure of air or gas within measurement ranges which vary according to the type of manometric liquid used : AWS 10, VOLT 1S or MERCURY.
(See table below).

- "U"- shaped column for measuring consecutively positive and negative pressures.
- Measurement by addition of values read on each column.
- Zero adjustment by moving the slide strip.
- For fixed use regardless of the manometric liquid used.
- For portable use with the LU model using VOLT 1S liquid.
- Comes with a white PVC support, 2 screws and 2 rawlplugs, two 487 connectors and a bottle of liquid.

MEASUREMENT RANGE

			LU 100	LU 200	LU 300	LU 400	LU 600	LU 800	LU 1000
AWS 10 LIQUID	MEASUREMENT RANGE	mm CE	50-0-50	100-0-100	150-0-150	200-0-200	300-0-300	400-0-400	500-0-500
		mbar	5-0-5	10-0-10	15-0-15	20-0-20	30-0-30	40-0-40	50-0-50
		In WG	2-0-2	4-0-4	6-0-6	8-0-8	12-0-12	16-0-16	20-0-20
	Resolution : 1 mm CE or 0.5 mbar or 0.05 In WG								
VOLT 1S LIQUID	MEASUREMENT RANGE	mm CE	110-0-110	220-0-220	330-0-330	430-0-430	650-0-650	870-0-870	1090-0-1090
		mbar	11-0-11	22-0-22	32-0-32	43-0-43	64-0-64	86-0-86	107-0-107
		In WG	4-0-4	8-0-8	12-0-12	17-0-17	25-0-25	34-0-34	42-0-42
	Resolution : 5 mm CE or 0.1 mbar or 0.1 In WG								
MERCURY	MEASUREMENT RANGE	mm HG	50-0-50	120-0-120	180-0-180	240-0-240	350-0-350	470-0-470	590-0-590
		mbar	80-0-80	160-0-160	240-0-240	310-0-310	440-0-440	620-0-620	780-0-780
		In HG	2-0-2	4-0-4	6-0-6	8-0-8	12-0-12	16-0-16	20-0-20
	Resolution : 1 mm HG or 5 mbar or 0.05 In HG								

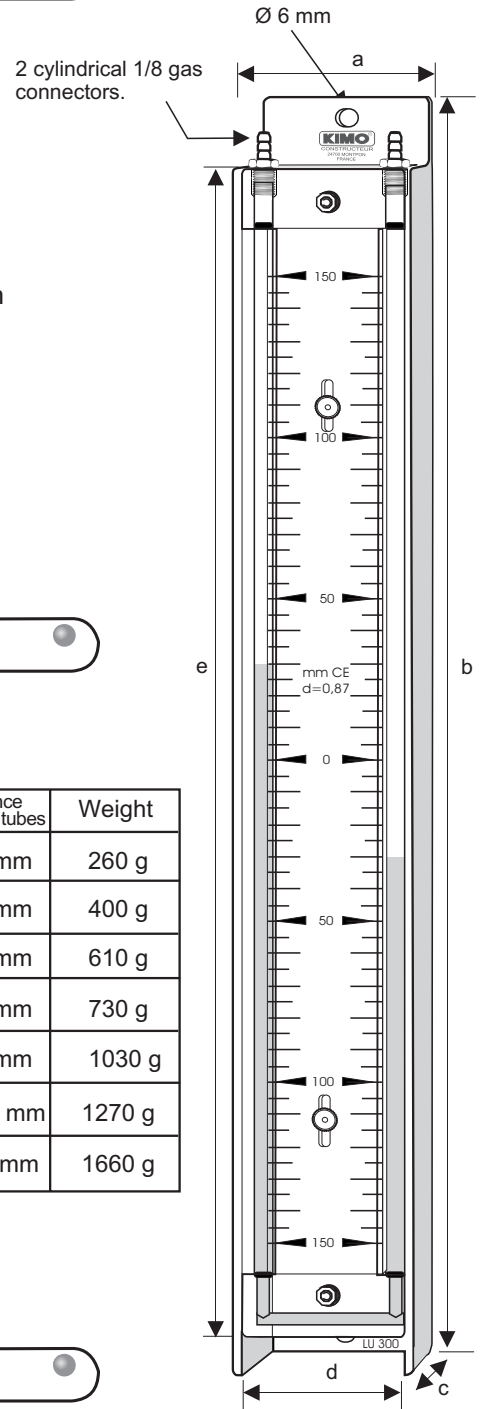


CHARACTERISTICS

- Recommended range of use : +5 to 30°C.
- Possible range of use : -30 to 60°C.
- Maximum static pressure : 6 bars.
- Manometer body : 15 mm thick transparent Altuglas.
- Liquid column : Ø 4 mm tube in extruded Altuglas.
- Graduated slide strip : transparent Altuglas. Cross-section 40 x 2 mm.
- Zero adjustment by moving the graduated slide strip, travel 10 mm. Fixed in place via milled, nickel-plated brass screw.
- Connection : Ø 5x8 mm semi-rigid crystal tube on Ø 6.2 nickel-plated brass ribbed connectors (for manometers using AWS 10 or VOLT 1S liquid) or in Delrin (for mercury manometer), 1/8 gas thread.
- Wall mounting with or without white PVC support.

DIMENSIONS

REFERENCE	a	b	c	d	e	Distance between tubes	Weight
LU 100	57 mm	207 mm	25 mm	50 mm	169 mm	193 mm	260 g
LU 200	57 mm	324 mm	25 mm	50 mm	286 mm	310 mm	400 g
LU 300	57 mm	441 mm	25 mm	50 mm	403 mm	427 mm	610 g
LU 400	57 mm	558 mm	25 mm	50 mm	520 mm	544 mm	730 g
LU 600	57 mm	792 mm	25 mm	50 mm	754 mm	778 mm	1030 g
LU 800	57 mm	1026 mm	25 mm	50 mm	988 mm	1012 mm	1270 g
LU 1000	57 mm	1260 mm	25 mm	50 mm	1222 mm	1246 mm	1660 g



MOUNTING

Mount the manometer on a wall or partition wall with two maximum Ø 5 screws. Unscrew one of the two connectors and slowly pour the manometric liquid to zero point on the graduation. Remount the connector without overtightening. Connect the manometer with the Ø 5x8 mm crystal tube to the pressure or depression source to be checked.

NOTE :

- For a pressure measurement : connect the crystal tube to one of the two connectors.
- For a depression measurement : connect the crystal tube to one of the two connectors.
- For a differential pressure measurement : connect both tubes to both connectors.

MAINTENANCE : LU manometers require no special maintenance other than simply changing the reading liquid once a year.

www.kimo.fr

EXPORT DEPARTMENT

BP 48. Bld de Beaubourg - Emerainville
F-77312 MARNE LA VALLEE CEDEX 2 - FRANCE
Tel : 33. 1. 60. 06. 69. 25
Fax : 33. 1. 60. 06. 69. 29
e-mail : kimo.export@kimo.fr



Distributed by :

