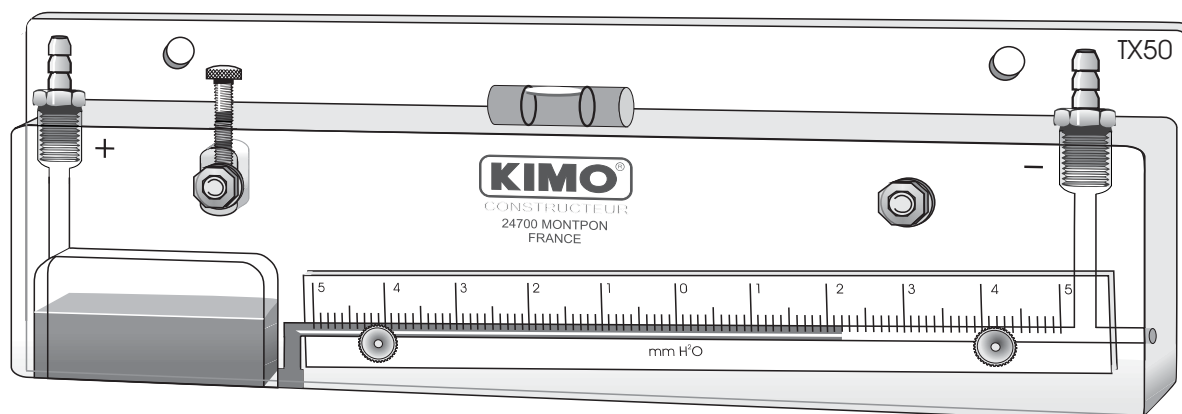


TECHNICAL DATA SHEET



TX SERIES INCLINED LIQUID COLUMN MANOMETERS



The TX range of inclined liquid column manometers, developed and manufactured by KIMO, measure slight variations in pressure, depression or differential pressure.

They are particularly recommended for measuring overpressures and depressions in clean rooms, operating blocks, laboratories, aseptic rooms, laminar flows...

- Scale with centered zero.
- Possibility for measuring positive and negative pressures.
- High measurement sensitivity.
- Very low pressure ranges.
- Zero adjusting by moving the slide strip.
- Integrated spirit level for adjusting horizontality.
- Comes with a white PVC support, 2 screws and 2 rawlplugs, two 487 connectors and a bottle of AWS 10 liquid.

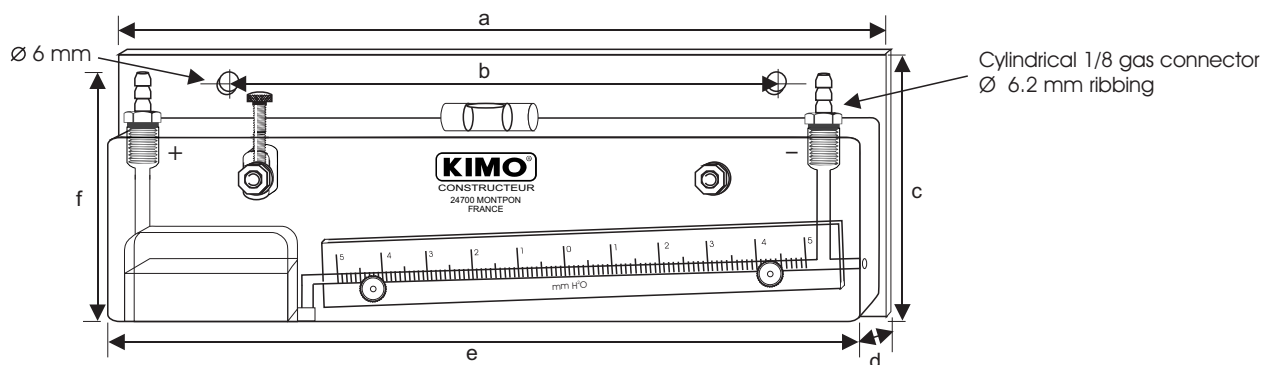
RANGE OF MEASUREMENT

REFERENCE	MEASUREMENT RANGE			SENSITIVITY SCALE		RESOLUTION
	mm CE	Pascal	In.WG	for 1 mm CE or 10 Pa	for 0.1 In WG	
TX 25	2.5-0-2.5	25-0-25	0.1-0-0.1	20 mm	50.8 mm	0.1 mm CE or 1 Pa or 0.002 In.WG
TX 50	5-0-5	50-0-50	0.2-0-0.2	15 mm	38.1 mm	0.1 mm CE or 1 Pa or 0.005 In.WG
TX 75	7.5-0-7.5	75-0-75	0.3-0-0.3	10 mm	25.4 mm	0.1 mm CE or 1 Pa or 0.005 In.WG

CHARACTERISTICS

- Recommended range of use : +5 to 30°C.
- Possible range of use : -30 to 60°C.
- Maximum static pressure : 6 bars.
- Manometer body : transparent 20 mm thick Altuglas
- Liquid column : entirely bored in the solid block, Ø 4mm.
- Graduated slide strip : transparent Altuglas. Cross-section 20 x 2 mm.
- Zero adjustment by moving the graduated slide strip, travel 12 mm. Fixed in place via milled, nickel-plated brass screw.
- Horizontal positioning via integrated spirit level and milled, nickel-plated brass adjusting screw, vertical travel 12 mm.
- Manometric liquid : Huile AWS 10 red oil, density 0.87 at 15°C.
- Reservoir capacity : 20 ml.
- Connection : Ø 5x8 mm semi-rigid crystal tube, on Ø 6.2 mm ribbed, nickel-plated brass connectors, 1/8 gas thread.
- Wall-mounted with or without white PVC support.

DIMENSIONS



REFERENCE	a	b	c	d	e	f	Weight
TX 25	184 mm	116 mm	80 mm	30 mm	180 mm	71 mm	340 g
TX 50	234 mm	166 mm	80 mm	30 mm	230 mm	71 mm	430 g
TX 75	234 mm	166 mm	80 mm	30 mm	230 mm	71 mm	430 g

MOUNTING

Mount the manometer on a wall or a vertical partition wall with two maximum Ø 5 screws. Set horizontality by using the integrated level and the milled adjusting screw. Unscrew the connector on the reservoir and slowly pour the manometric liquid to zero point on the graduation. Remount the connector without overtightening. Connect the manometer with the Ø 5x8 mm crystal tube to the pressure or depression source to be checked.

NOTE :

- For a pressure measurement : connect the crystal tube to the left-hand connector (+).
- For a depression measurement : connect the crystal tube to the right-hand connector (-).
- For a differential pressure measurement : connect the highest pressure to the left-hand connector (+) and the lowest pressure to the right-hand connector (-).

MAINTENANCE : TX manometers require no special maintenance other than simply changing the reading liquid once a year.

www.kimo.fr

EXPORT DEPARTMENT

BP 48. Bld de Beaubourg - Emerainville
F-77312 MARNE LA VALLEE CEDEX 2 - FRANCE
Tel : 33. 1. 60. 06. 69. 25
Fax : 33. 1. 60. 06. 69. 29
e-mail : kimo.export@kimo.fr



Distributed by :

